



NEC

The Installation Service Pack

For your NEC Express5800/320 Fault Tolerant Server, let us introduce you to:

- The Standard Primary Installation
- The Advanced Primary Installation
- The Active Upgrade functionality



THE INSTALLATION SERVICE PACK

FOR THE NEC EXPRESS5800/FT FAULT TOLERANT SERVER

The Installation Service Pack For the NEC Express5800/320 Fault Tolerant Server

For an optimal use and an effective
running upon installation

A highly available information system is the main concern for computer managers today. It is becoming a vital need in order to ensure business continuity and avoid income losses linked to service interruption, whatever the cause. If a system stops, the whole activity is exposed.

In order to meet the needs of professionals and guarantee optimal availability, NEC Computers offers the NEC Express5800 / FT real adapted and personalised installation services.

During the purchase of your NEC Express5800/320 FT Server,
you can choose between 2 services:

the “Standard Installation” service and the “Advanced Installation” service.

The Standard Installation Service

This basic and initial installation service includes:

- On site installation **for the customer**
 - Parameter settings and configuration of the server
- Basic notions on the **Fault Tolerant concept**
 - Material description
 - Presentation of the CRU* modules
- Installation of the **remote management tools**
- Creation of **accounts and registrations.**
- Creation of a direct access code for the **expertise centre****
 - Direct access to NEC's advanced technical support

Standard Installation Service	
Installation	<ul style="list-style-type: none">• On site
Implementation and administration	<ul style="list-style-type: none">• Presentation
Management tools	<ul style="list-style-type: none">• Presentation

CPID creation for a Direct access



THE INSTALLATION SERVICE PACK

FOR THE NEC EXPRESS5800/FT FAULT TOLERANT SERVER

The Advanced Installation Service

The unavoidable and essential service for your NEC Express5800/FT server's performance.

This NEC Computers pack offers a personalised service with the intervention of our NEC FT experts for training and advanced technical support.

- Installation within the **customer's environment**
 - Server rack integration
 - Cabling
 - Parameter settings and configuration
- An advanced presentation of the **Fault Tolerant concept**
 - Advanced material presentation of the server
 - Presentation of the CRU* modules
 - Corrective actions and diagnosis
- An advanced presentation of the **remote management tools**
 - Presentation and parameter settings
 - Transfer of competence and practical manipulation
- Creation of a direct access code for the **expertise centre****
 - Direct access to NEC's advanced technical support

Advanced Installation Service

- Cabling
- In rack
- On site

- CRU modules demonstration
- Diagnostic and corrective actions
- Presentation

- Hands on manipulation
- Knowledge transfer
- Presentation

to the Center of Expertise

Key benefits

- Guaranteed optimum availability
- Adapted and proactive quality of service
- Guaranteed autonomy

* Customer replaceable units

* Dedicated to the customers having subscribed the UltraCare FT service Premium : a support solution ensuring an optimal availability 24/7 for critical activities

The Active Upgrade Function

Guaranteed optimal availability in the case of planned interruptions

The Active Upgrade Technology is a functionality integrated in your NEC Express5800/FT which deals with the necessary planned interruptions for the installation of patches and updates, while ensuring business continuity. With this functionality, OS applications and software maintenance and updates can be done with minimal interruption. It will lower your costs, simplify the process and also increase security.

NEC enables you to install service of the Active Upgrade functionality with a technical training. You will be trained and be able to use this functionality autonomously providing you with an optimised system availability.

With the purchase of the Active Upgrade Service, NEC experts will come to present (through demonstrations) the running of this functionality within your environment. They will transfer their practical knowledge and their technical skills necessary to plan, improve, parameter and test the software updates. The Active Upgrade training is a personalised service for each customer to satisfy specific requirements and be able to fit this technology into their business environment.

The Active Upgrade training :

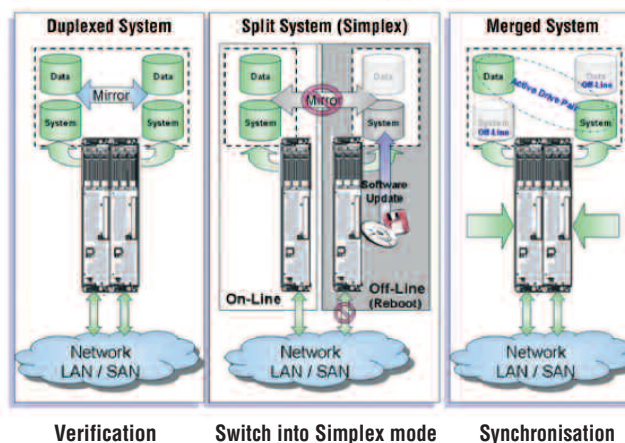
- Advanced presentation of the functionality
- Basic functions demonstration
- Installation within the customer's environment
- Competence transfer and common script performance.

Key benefits

For OS applications and software maintenance and updates you can:

- work in an autonomous way: you control all the tools necessary to the functionality's performance
- minimise interruptions: you can decrease the planned interruption time and still benefit from business continuity
- decrease maintenance and updates costs
- gain more security for the software maintenance.

Processus Active Upgrade™



THE INSTALLATION SERVICE PACK

FOR THE NEC EXPRESS5800/FT FAULT TOLERANT SERVER

The NEC Express5800 Fault Tolerant

Key Features :

Innovative technology

The **NEC Express 5800/Fault Tolerant server** provides unprecedented Fault-Tolerance thanks to the new chipset, designed to manage the “locks-step” function. In addition the NEC software enables users to run middleware and software applications without modification while fault tolerance remains transparent to users.

Unprecedented System Performance

The **NEC Express 5800/320FT server** features standard components; Intel® Xeon® processor and Microsoft Windows® operating system, which lets it benefit from all the latest

One license

Despite its redundant module, the **NEC Express5800/FT server** only requires one license per system for the use of the Windows operating system.

Express5800/320Fc: High availability guaranteed for data centers and virtualized environments

- Intel® Xeon® Quad-Core Processor
- 24GB DDR2-667 ECC memory
- FSB 1333Mhz
- 3 SAS Hard Drives, 300GB
- Active Upgrade™



NEC Express5800/FT The Fault Tolerant server

The costs associated with server downtime, resulting from lost customer revenue, decreased employee productivity and potential loss of future business can be huge. Protecting your applications from server downtime is therefore essential.

Our Fault Tolerant solutions benefit from NEC's cutting edge technology and experience to provide you with flexible and powerful solutions that are perfectly designed to match your needs of continuous availability and critical applications protection. Whether you need it factory-integrated or customer-installable, NEC's Express5800/ft solutions will satisfy even the most demanding IT needs.

By combining 24/7 Fault Tolerant technology with industry standard hardware and software, NEC Express5800/ft series servers deliver business-critical levels of system availability without the high costs associated with traditional

Fault-Tolerant server deployments. You can now extend the benefit of continuous server availability to all of your applications, so that your business never stops.

Key Benefits:

- 99.999% system availability
- Easy maintenance thanks to the modular concept

Did you know?

NEC Computers is completing its FT service offer with the pack « **UltraCare FT Service** »: guaranteed business continuity.

ULTRACARE FT SERVICE ADVANTAGE

ULTRACARE FT SERVICE PREMIUM

NEC Computers also offers other options such as a dedicated training, pre-configuration factory services as well as consulting and advanced managed services.



For more information, please contact the Ultracare Services team !

Contact us

France

10, rue Godefroy
 92821 Puteaux Cedex
 Phone : +33 1 55 23 72 00
 Fax : +33 1 55 23 75 74

Italy

Via Leonardo Da Vinci, 97
 20090 Trezzano S/N (Mi)
 Phone : + 39-3-96-29-45-34
 Fax : + 39-3-96-29-49-01

United Kingdom

Second Floor,
 Integration House,
 Alba Campus, Livingston,
 EH45 7EG
 Phone : +44(0) 8703336320
 Fax : +44(0) 1506402520

Belgium

Burg. F. de Bethunelaan, 21
 8500 Kortrijk
 Phone : +32 (0)56 533.266
 Fax : +32 (0)56 530.960

Netherlands

Takenhofplein 3
 6538 SZ Nijmegen.
 Phone : +31 24-3571070
 Fax : +31 24-3571071

Spain

Calle Orense, 12
 28020 Madrid
 Phone : + 33 1 55 23 72 27
 Fax : +33 1 55 23 75 74

Germany

Hessbruehl str 21B
 70565 Stuttgart
 Phone : +33 1 55 23 7859
 Fax : +33 1 55 23 7561

LEMEA

10, rue Godefroy
 92821 Puteaux Cedex
 Phone : +33 1 55 23 72 00
 Fax : +33 1 55 23 75 74